

SELECTOR SWITCH

[22mm]

PPB-SE SERIES

VTEKE[®]

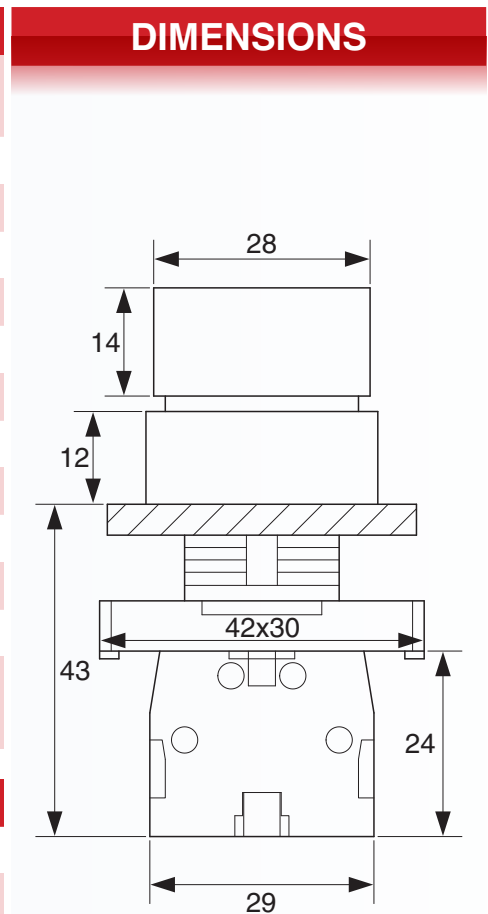
www.vteke.com.tr

FEATURES

PPB-SE Selector Switch Series is designed according to EN60947-1 standard. Extra contact block can be added to the switch and multiple contact block can be mounted on each other.

TECHNICAL DATA

PARAMETER	VALUE
Insulation Rated Voltage	600V
Frequency	50-60Hz for AC
Rated Thermal Current	10A
Utilization Category	AC-15, DC-13
Standard	EN60947-1
Contact Resistance	50mA
Recommended Torque	0.9Nm
Wire Size	0.5mm to 2.5mm ²
Hole Diameter	22mm
Mechanical Life	> 30 x 10 ⁴ (times)
Working Temperature	-25 to +70C Degree
Spring Type	Stable (No Return Spring)
Switching Angle	90degree for 2-Positions 45degree for 3-Positions



CODES

CODE	TYPE	CONTACT
PPB-SE-01	2 Positions stable switch	1 NO
PPB-SE-11	3 Positions stable switch	1 NO + 1 NO

CONTACT BLOCK

PPB-CO-1	Contact Block 1 NO
PPB-CO-2	Contact Block 1 NC

PHOTOS

